

# FERTIGATION SYSTEMS

## AND VENTURI KIT

**FERTILIZER**

Working pressure: 6 bar


**STANDARD EQUIPMENT**

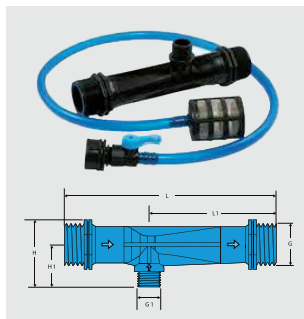
1 flow meter,  
1 porthole,  
1 valve, 2 taps,  
2 hose fittings

Code	Capacity litres	A mm	B mm	C mm	Weight kg
<b>VERTICAL</b>					
FRV60	60	400	400	150	30
FRV80	80	400	500	150	35
FRV100	100	500	350	150	38
FRV120	120	500	450	150	44
FRV150	150	500	550	150	48
FRV200	200	600	600	150	60
<b>HORIZONTAL</b>					
FRO120	120	500	840	900	48
FRO150	150	500	840	900	48
FRO200	200	500	840	1.100	54
FRO400	400	650	680	1.400	80

**TO ORDER PAINTED VERSION, ADD LETTER "V" TO THE CODE.**

**FERTILIZER BYPASS**


Code	Diameter	Connections	Bypass valves
BPFT2	2"	BSP - threaded	¾"
BPFT3	3"	BSP - threaded	¾"
BPFT4	4"	BSP - threaded	¾"

**VENTURI INJECTORS**


Code	Diameter	G	G1	L mm	L1 mm	H mm	H1 mm
VENTUR01	¾"	¾"	½"	139	89	63	48
VENTUR02	1"	1"	½"	168	94	66	48
VENTUR03	1 ¼"	1 ¼"	¾"	247	157	74,5	45
VENTUR04	1 ½"	1 ½"	¾"	278	166	74,5	49
VENTUR05	2"	2"	1"	300	180	95	60