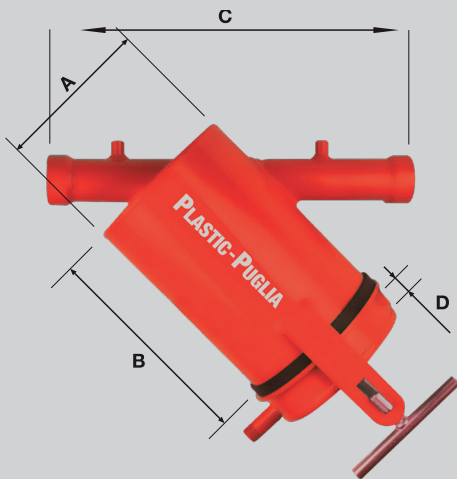


SELF-CLEANING SCREEN FILTERS



The self-cleaning filter is suitable for filtering lake, river or well water containing inorganic particles. The peculiarity is constituted by a plate with 6 inclined holes which remove the particles adhering to the filtering net by centrifugal effect, causing them to precipitate towards the purge area. It is possible to vary the flow rate using rubber caps (supplied) by applying them on the perforated plate. It is recommended to use a hydrocyclone filter upstream.

TECHNICAL FEATURES

- Filter body** Hot galvanized steel or epoxy-painted (on request)
- Filter element** 120/150 mesh stainless steel cartridge and polyester net
- Purge** 3/4" or 1" BSP
- Max working pressure** 6 bar - closure with bolt flange
- Accessories not included** INOX glycerin bath manometers (0÷10 bar)
3/4" or 1" purge valve

	Code	Diameter	Flow rate m ³ /h	A mm	B mm	C mm	Weight kg
THREADED	FVA2FI	2"	3,5 - 18	193	402	350	19
	FVA3FI	3"	12 - 36	193	402	350	20
	FVA4FI	4"	21 - 72	193	502	400	24
FLANGED	FVA2FL	DN60	3,5 - 18	193	402	350	19
	FVA3FL	DN80	12 - 36	193	402	350	20
	FVA4FL	DN100	21 - 72	193	502	400	24
	FVA5FL	DN125	30 - 90	193	850	700	40